



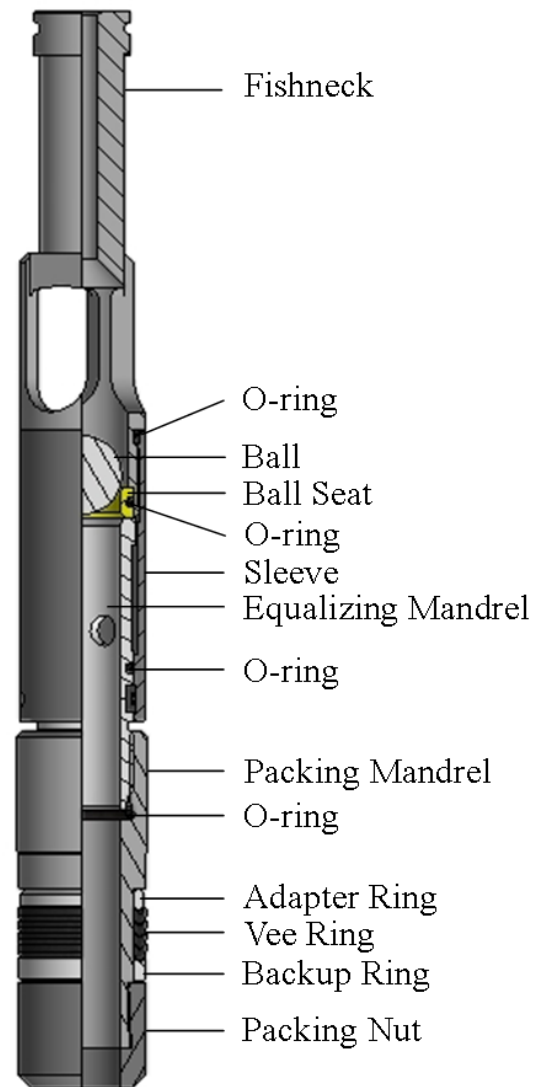
FB-2 EQUALIZING CHECK VALVE

ASSEMBLY DESCRIPTION

The FB-2 Equalizing Check Valve prevents fluid flow from above the tool, yet still allows fluid flow from below the tool. The FB-2 Equalizing Check Valve will sit in the No-Go of a TF profile, which prevents downward movement.

A B & T S Pulling Tool or a JD Pulling Tool can be used to pull and set the FB-2 Equalizing Check Valve.

A B & T C-1 Running Tool or a JD Pulling Tool can be used to run and set the tool.





FB-2 EQUALIZING CHECK VALVE

SPECIFICATIONS				
	1.780	1.810	1.870	2.250
Fishneck	1.375	1.375	1.375	1.750
No-Go O.D.	1.802	1.865	1.906	2.302
Length	15.680	15.680	15.680	17.370
Running Tool	C1RT-02000-01	C1RT-02000-01	C1RT-02000-01	C1RT-02500-01
Pulling Tool	SBPT-02000-01 JDCBT-02000-01	SBPT-02000-01 JDCBT-02000-01	SBPT-02000-01 JDCBT-02000-01	SBPT-02500-01 JDCBT-02500-01

SPECIFICATIONS				
	2.310	2.560	2.750	2.810
Fishneck	1.750	2.313	2.313	2.313
No-Go O.D.	2.365	2.550	2.802	2.865
Length	17.370	18.375	18.810	18.810
Running Tool	C1RT-02500-01	C1RT-02500-01	C1RT-03000-01	C1RT-03000-01
Pulling Tool	SBPT-02500-01 JDCBT-02500-01	SBPT-02500-01 JDCBT-02500-01	SBPT-03000-01 JDCBT-03000-01	SBPT-03000-01 JDCBT-03000-01

SPECIFICATIONS				
	3.688	3.750	3.813	4.125
Fishneck	3.125	3.125	3.125	3.125
No-Go O.D.	3.740	3.802	3.875	4.187
Length	18.750	18.750	18.750	17.430
Running Tool	C1RT-04000-01	C1RT-04000-01	C1RT-04000-01	C1RT-04000-01
Pulling Tool	SBPT-04000-01 JDCBT-04000-01	SBPT-04000-01 JDCBT-04000-01	SBPT-04000-01 JDCBT-04000-01	SBPT-04000-01 JDCBT-04000-01

All Specification Tables contain approximated dimensions and should be used for reference only.