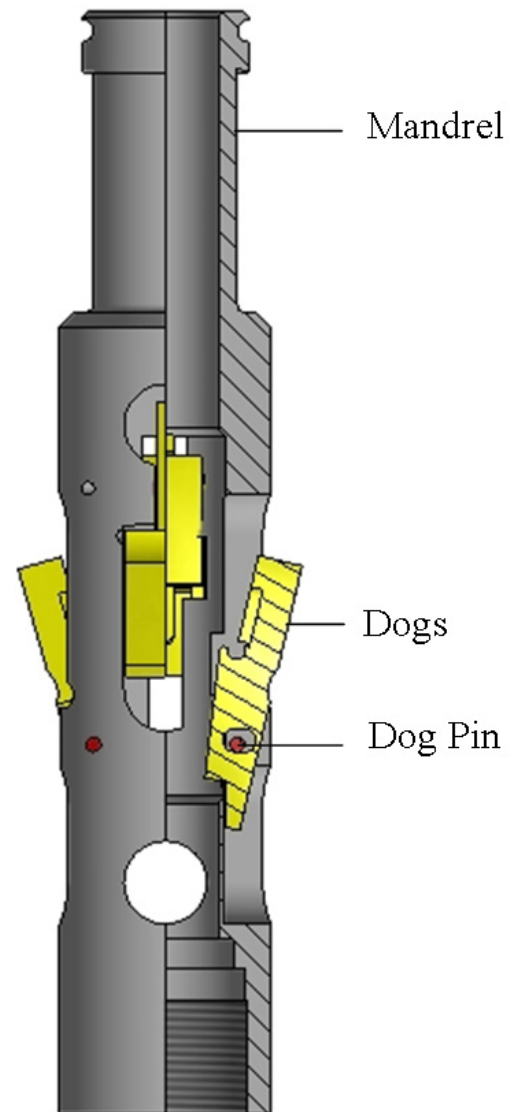




## S LOCK (TYPE B)

### ASSEMBLY DESCRIPTION

The B & T S Lock has four locking Dogs. Two of these Dogs face upward and prevent the assembly from moving upward. The other two Dogs face downward and prevent downward movement without needing a No-Go shoulder.





## S LOCK (TYPE B)

SPECIFICATIONS			
	2.375	2.875	3.500
Fishneck	1.375	1.750	2.313
Maximum O.D.	1.750	2.188	2.688
Length	9.125	9.375	10.468
Running Tool	C1RT-02000-01	C1RT-02500-01	C1RT-03000-01
Pulling Tool	SBPT-02000-01	SBPT-02500-01	SBPT-03000-01
Pulling Prong	BBPO-02000-01	BBPO-02500-01	BBPO-03000-01
Running Shank	ASBT-02000-01	ASBT-02500-01	ASBT-03000-01

All Specification Tables contain approximated dimensions and should be used for reference only.