



## TYPE CL PACKOFF

### ASSEMBLY DESCRIPTION

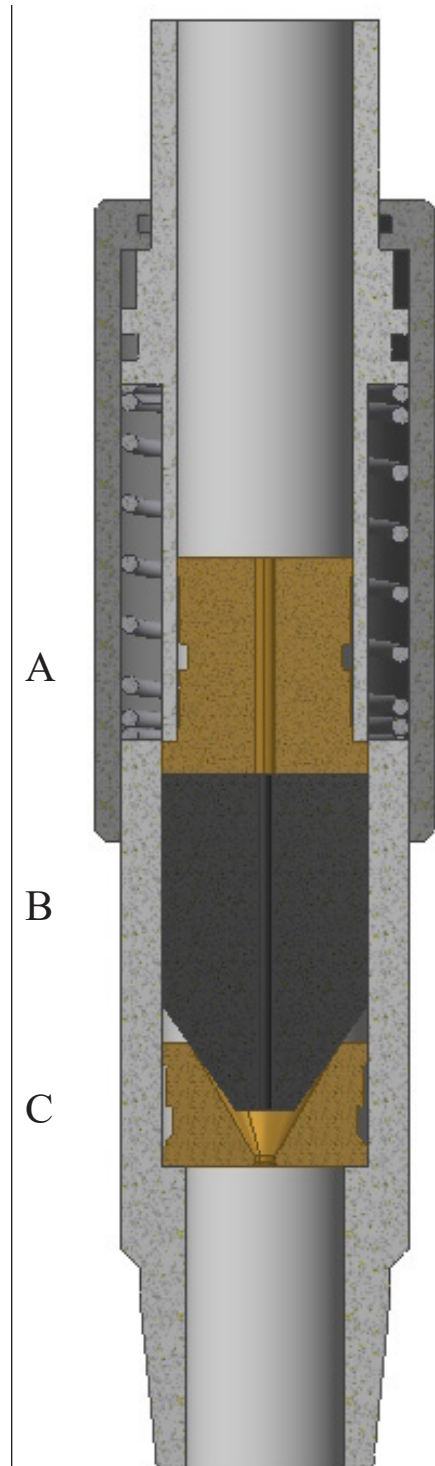
B & T manufactures the following components compatible with the Type CL Packoff:

- A) TYPE CL UPPER BRASS
- B) TYPE CL LINE WIPER RUBBER
- C) TYPE CL LOWER BRASS

B & T produces Type CL components from high quality machined brass which gives them superior wear characteristics. Our brass components also cover a range of common line sizes giving the user maximum flexibility while lowering the amount of inventory that must be kept on hand.

The Type CL Line Wiper Rubber is available in the full range of materials offered by B & T. Please consult the Elastomer Chart to find the proper compound for your specific application. The standard compound suitable for most applications is SBR/Natural 50. If a slightly harder rubber is desired with the same chemical characteristics, we recommend the standard NBR 60 material.

PLEASE NOTE: Many parts for the Type C, Type CL, MT, and 410 injection heads are shared between different styles, part numbers are listed for each style to avoid confusion. To check cross compatibility, please see the Cross Compatibility Chart.

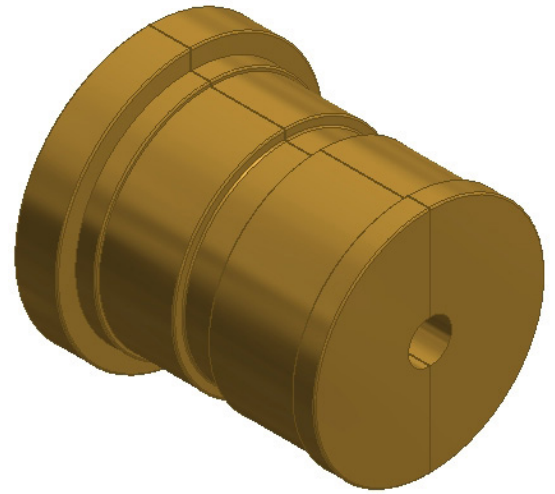




## TYPE CL UPPER BRASS

### ASSEMBLY DESCRIPTION

O.D.            2.555"  
Length         2.700"



### SPECIFICATIONS

#### Type CL Part: A

| Part Number  | Line Size   | Material |
|--------------|-------------|----------|
| CLUB-0014-05 | 9/32"-3/8"* | Brass    |
| CLUB-0015-05 | 3/16"-1/4"* | Brass    |
| CLUB-0003-05 | 7/32"       | Brass    |
| CLUB-0005-05 | 9/32"       | Brass    |
| CLUB-0006-05 | 5/16"       | Brass    |
| CLUB-0008-05 | 3/8"        | Brass    |
| CLUB-0009-05 | 7/16"       | Brass    |
| CLUB-0011-05 | 1/2"        | Brass    |

\*These line size ranges are what are specified by OEM equipment. We also make specific line sizes if your application requires it.

All Specification Tables contain approximated dimensions and should be used for reference only.



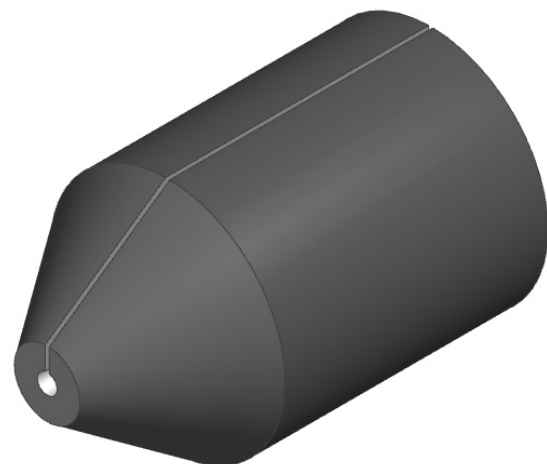
## TYPE CL LINE WIPER RUBBER

### ASSEMBLY DESCRIPTION

O.D. 2.100"  
Length 3.000"

Mold # -Line Size-Compound  
**0347-XXXX-XXXX**

When ordering the Type C Line Wiper Rubber use the prefix **0347** and please specify: line size and compound. Example: 3/16" SBR/Natural 50 Duro would be part number **0347-0002-3105**



### SPECIFICATIONS

#### Type CL Part: B

| Line Size | Line Size Part No. | Compound | SBR/Natural 50 Duro | NBR 60 Duro | HNBR 65 Duro | HNBR 70 Duro | FKM 70 Duro | Epichlorohydrin 70 Duro |
|-----------|--------------------|----------|---------------------|-------------|--------------|--------------|-------------|-------------------------|
| 3/16"     | 0002               |          | 3105                | 0806        | 8465         | 0847         | 0707        | 1307                    |
| 7/32"     | 0003               |          | 3105                | 0806        | 8465         | 0847         | 0707        | 1307                    |
| 1/4"      | 0004               |          | 3105                | 0806        | 8465         | 0847         | 0707        | 1307                    |
| 9/32"     | 0005               |          | 3105                | 0806        | 8465         | 0847         | 0707        | 1307                    |
| 5/16"     | 0006               |          | 3105                | 0806        | 8465         | 0847         | 0707        | 1307                    |
| 3/8"      | 0008               |          | 3105                | 0806        | 8465         | 0847         | 0707        | 1307                    |
| 7/16"     | 0009               |          | 3105                | 0806        | 8465         | 0847         | 0707        | 1307                    |
| 1/2"      | 0011               |          | 3105                | 0806        | 8465         | 0847         | 0707        | 1307                    |

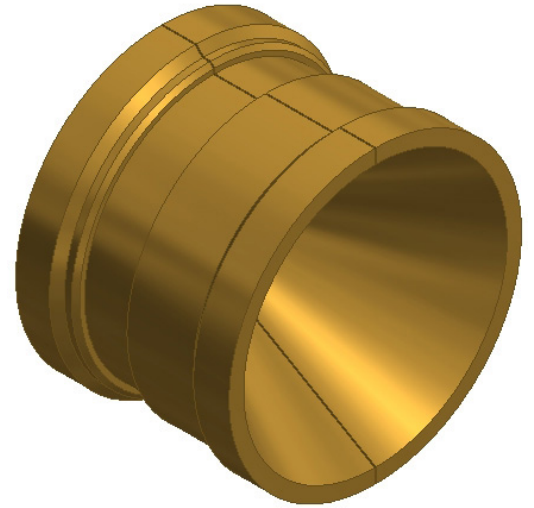
All Specification Tables contain approximated dimensions and should be used for reference only.



## TYPE CL LOWER BRASS

### ASSEMBLY DESCRIPTION

O.D.            2.125"  
Length         1.550"



### SPECIFICATIONS

#### Type CL Part: C

| Part Number  | Line Size   | Material |
|--------------|-------------|----------|
| CLLB-0014-05 | 9/32"-3/8"* | Brass    |
| CLLB-0015-05 | 3/16"-1/4"* | Brass    |
| CLLB-0003-05 | 7/32"       | Brass    |
| CLLB-0005-05 | 9/32"       | Brass    |
| CLLB-0006-05 | 5/16"       | Brass    |
| CLLB-0008-05 | 3/8"        | Brass    |
| CLLB-0009-05 | 7/16"       | Brass    |
| CLLB-0011-05 | 1/2"        | Brass    |

\*These line size ranges are what are specified by OEM equipment. We also make specific line sizes if your application requires it.

All Specification Tables contain approximated dimensions and should be used for reference only.